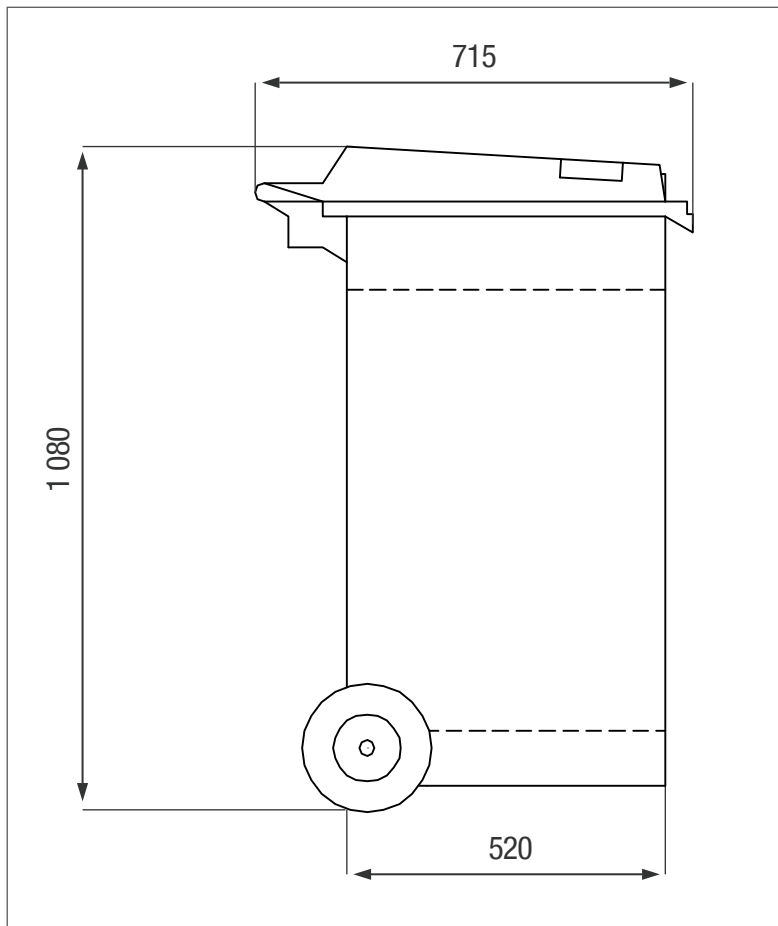


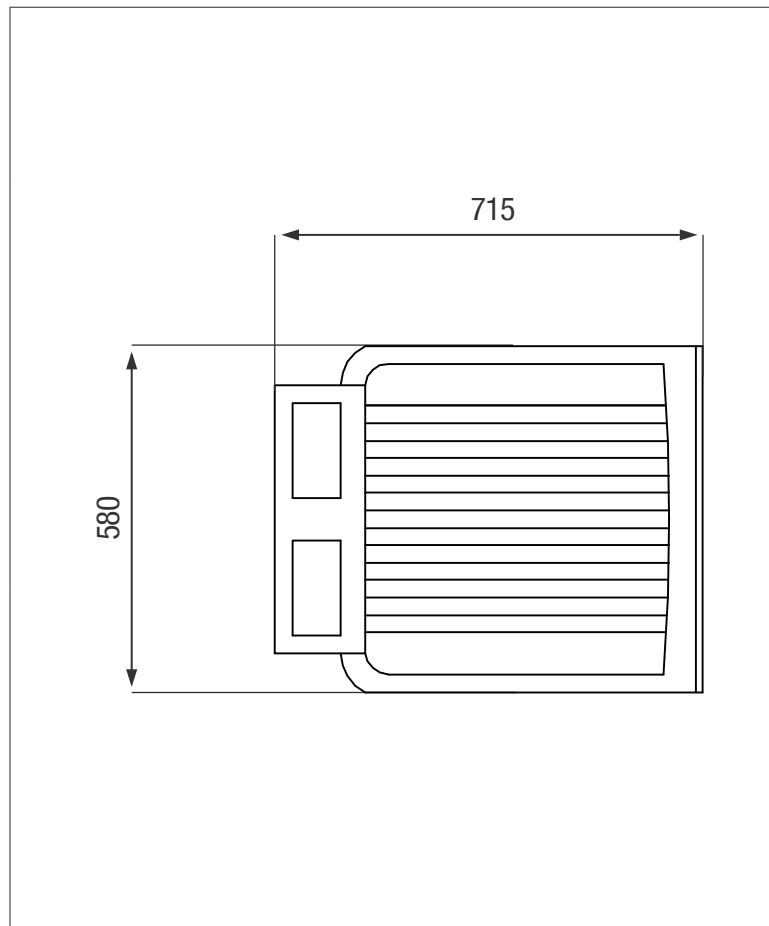
240L DUSTBIN ON WHEELS

Available in black only / UV-resistant

SIDE VIEW



TOP VIEW



ADDITIONAL INFORMATION

* 8 year Guarantee on workmanship

Food Grade LLDPE
BPA Free

ALL DIMENSIONS ARE IN MILLIMETERS
NOTE - SCALE NOT TO SCALE