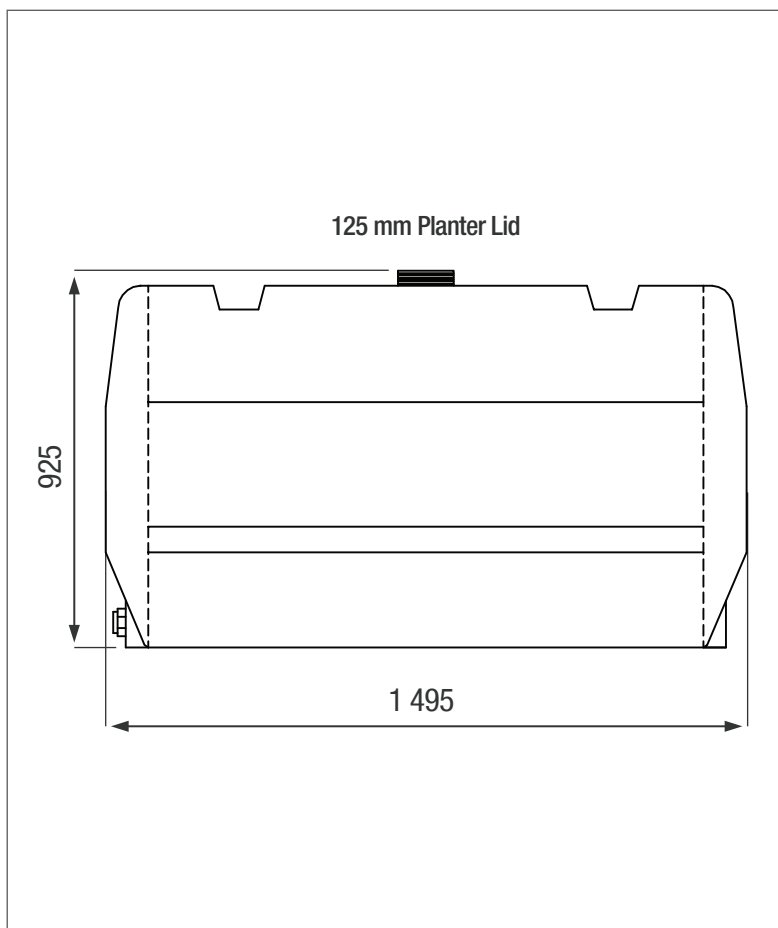


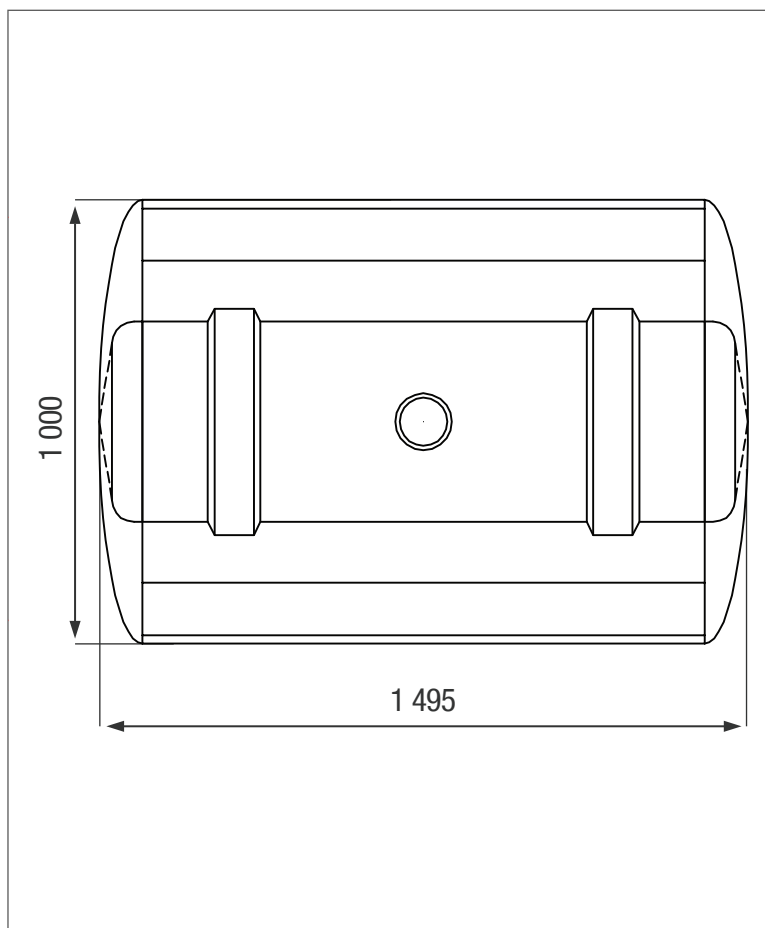
# 900 LT HORIZONTAL MEDIUM TANK

Available in a variety of our Chemical colours / UV-resistant

SIDE VIEW



TOP VIEW



PRODUCT SPECIFICATIONS

|                 |                 |
|-----------------|-----------------|
| Chemical/Medium | SG 1.4          |
| Outlet          | 40 mm Connector |
| Lid             | 125 mm          |

ADDITIONAL INFORMATION

\* 8 year Guarantee on workmanship

**Food Grade LLDPE**  
**BPA Free**

ALL DIMENSIONS ARE IN MILLIMETERS  
NOTE - SCALE NOT TO SCALE