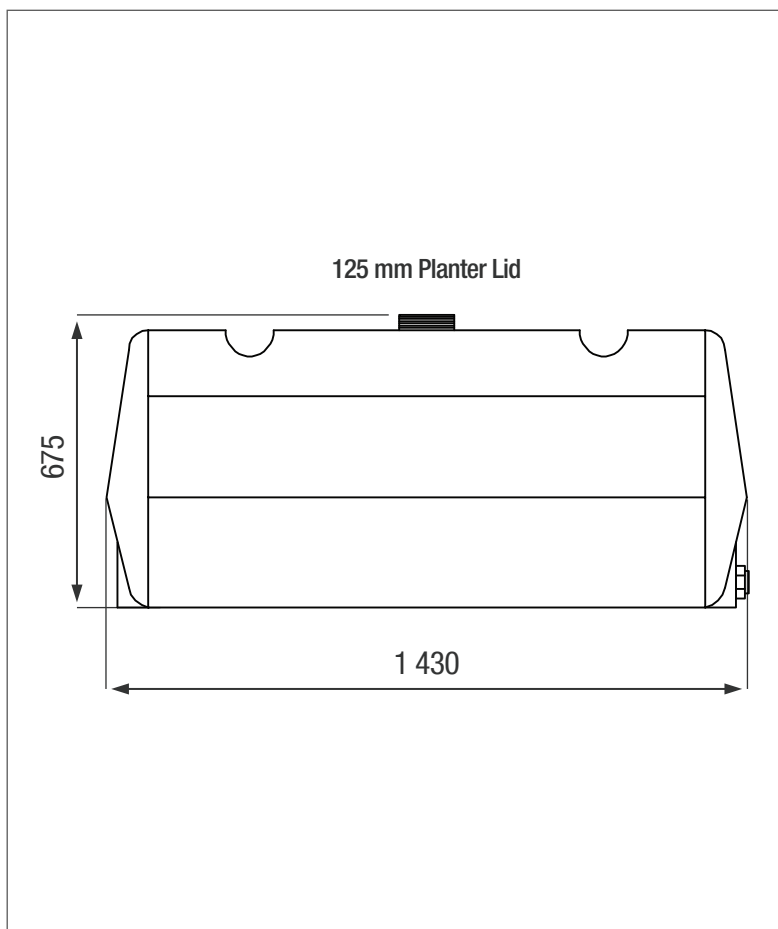


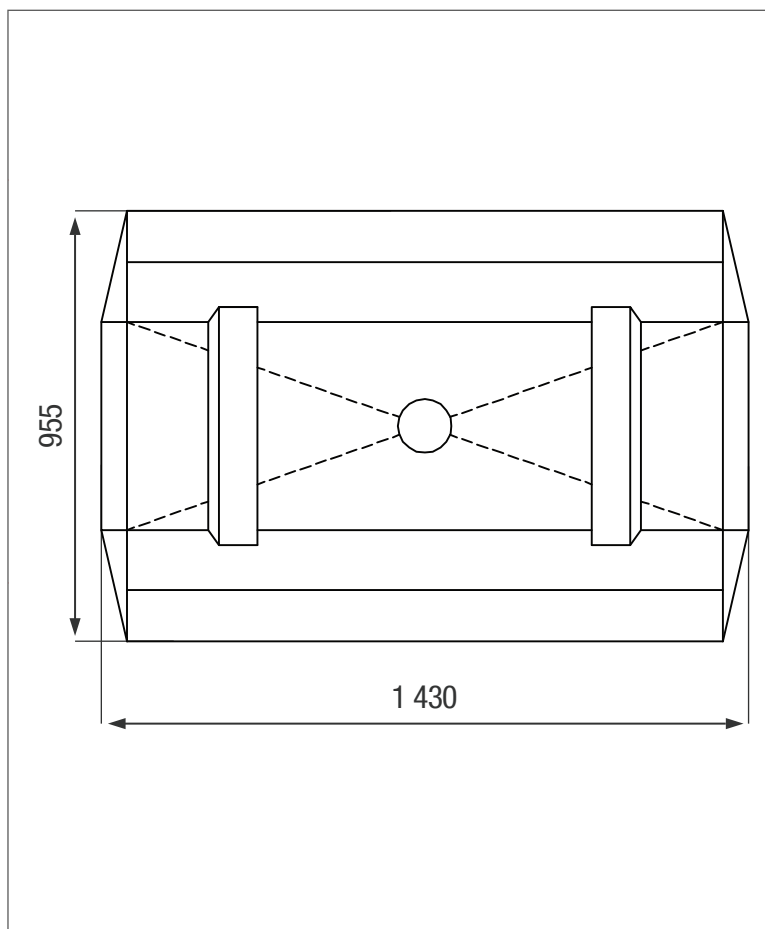
600 LT HORIZONTAL HEAVY TANK

Available in a variety of our Chemical colours / UV-resistant

SIDE VIEW



TOP VIEW



PRODUCT SPECIFICATIONS

Chemical/Heavy	SG 1.6
Outlet	40 mm Connector
Lid	125 mm

ADDITIONAL INFORMATION

* 8 year Guarantee on workmanship

Food Grade LLDPE
BPA Free

ALL DIMENSIONS ARE IN MILLIMETERS
NOTE - SCALE NOT TO SCALE