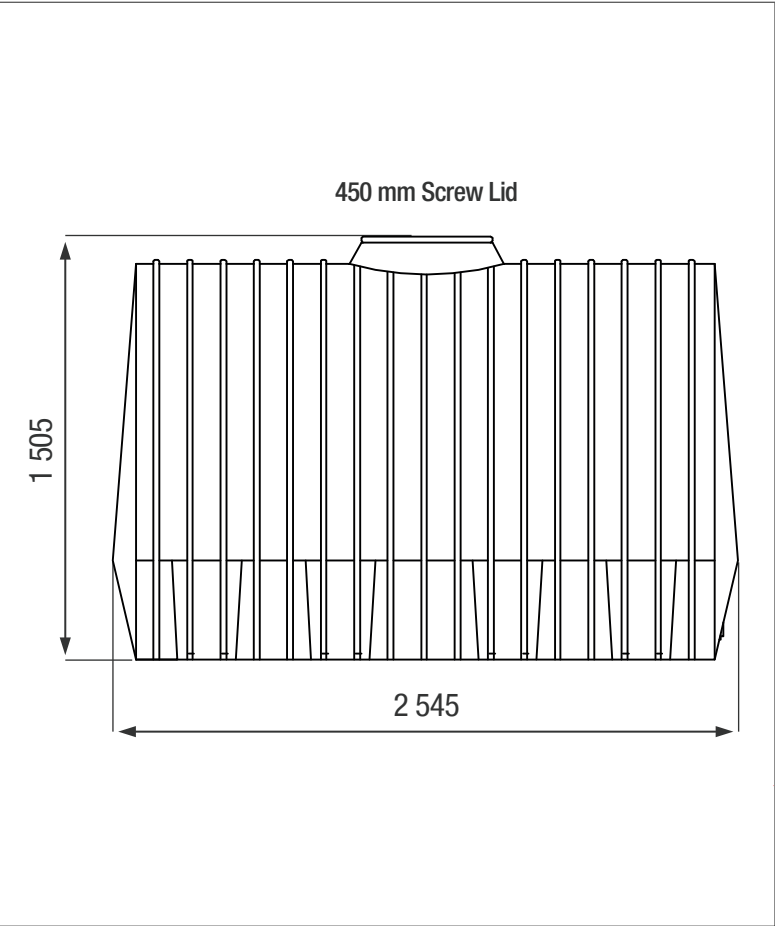


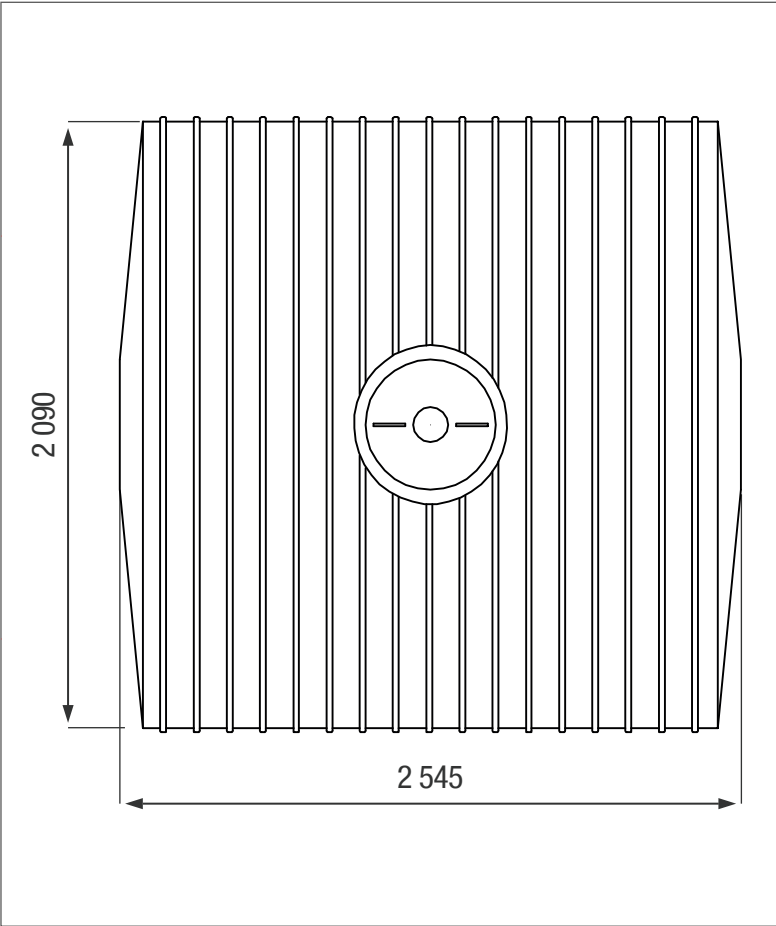
# 5 500 LT HORIZONTAL MEDIUM TANK

Available in a variety of our Chemical colours / UV-resistant

SIDE VIEW



TOP VIEW



PRODUCT SPECIFICATIONS

Chemical/Medium	SG 1.4
Outlet	50 mm Connector
Lid	450 mm

ADDITIONAL INFORMATION

\* 8 year Guarantee on workmanship

Food Grade LLDPE  
BPA Free

ALL DIMENSIONS ARE IN MILLIMETERS  
NOTE - SCALE NOT TO SCALE