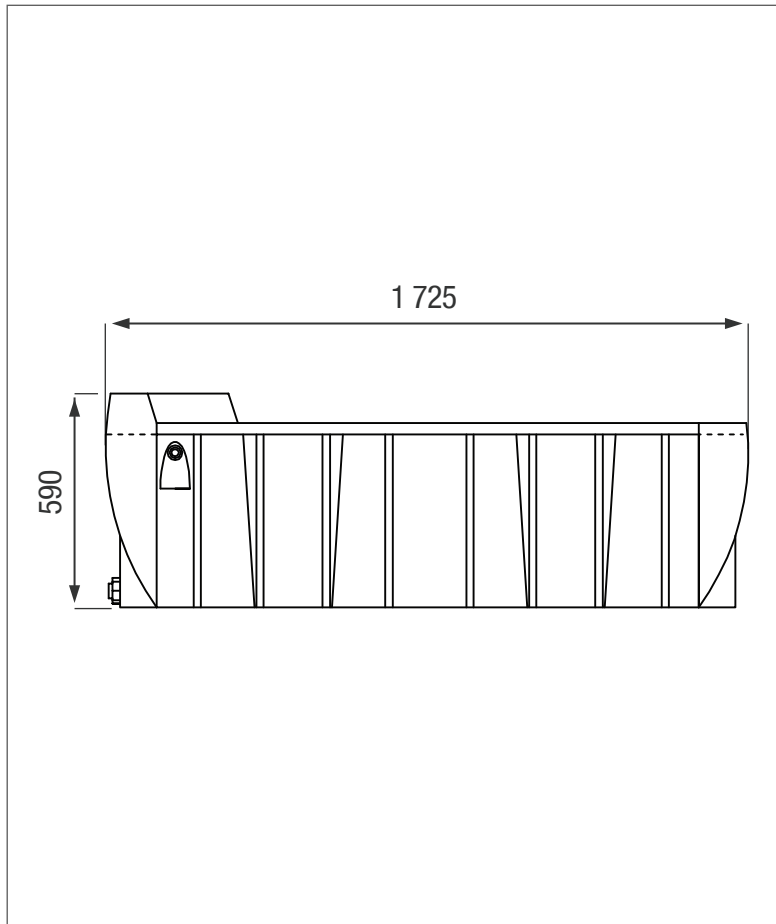


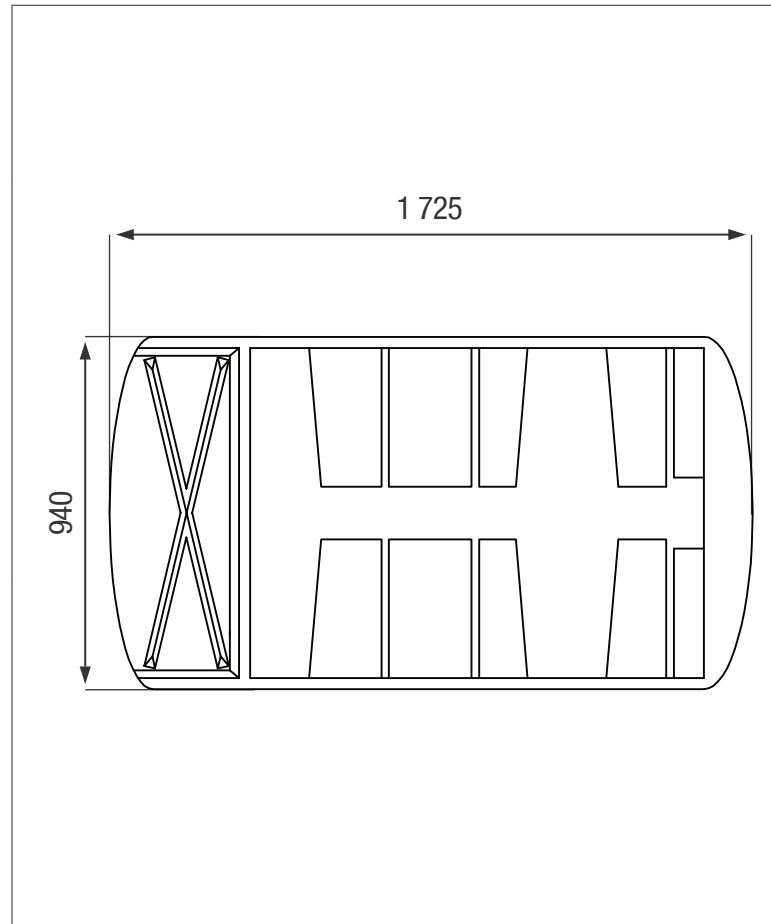
# 500 LT CATTLE TROUGH

Colours may differ depending on area and factory / UV-resistant

SIDE VIEW



TOP VIEW



PRODUCT SPECIFICATIONS

Inlet	Ball Valve
Outlet	50/40 Reducer
- Outlet fitted with	Thumb End Plug

ADDITIONAL INFORMATION

\* 8 year Guarantee on workmanship

**Food Grade LLDPE**  
**BPA Free**

**ALL DIMENSIONS ARE IN MILLIMETERS**  
**NOTE - SCALE NOT TO SCALE**