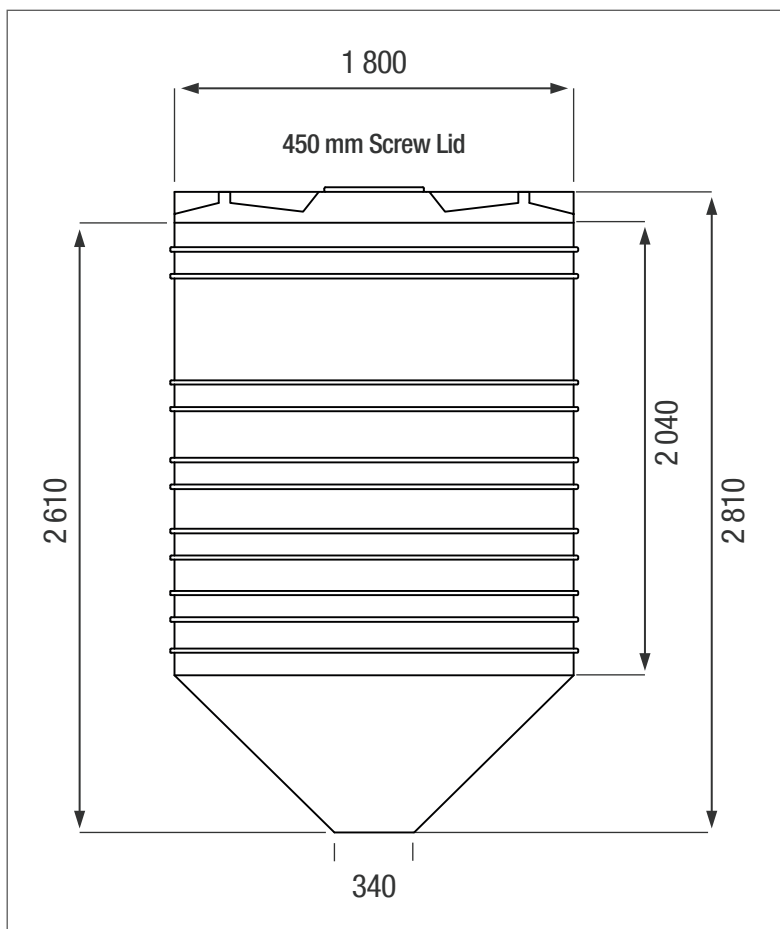


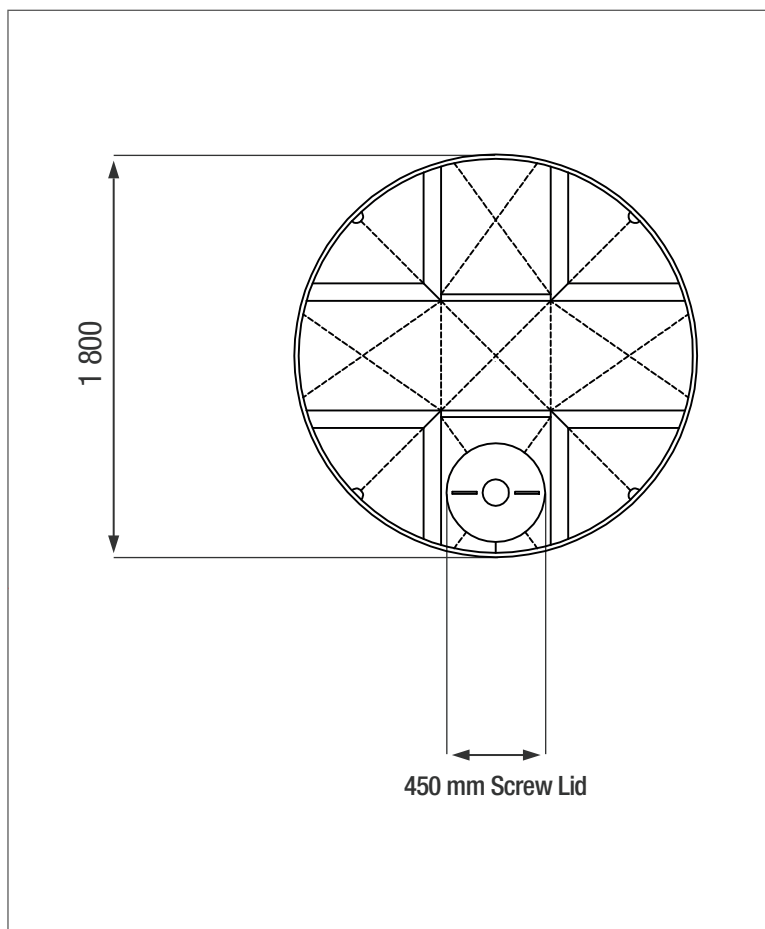
5 000 LT SILO **HEAVY TANK**

Available in a variety of our Chemical colours / UV-resistant

SIDE VIEW



TOP VIEW



PRODUCT SPECIFICATIONS

| | |
|----------------|--------|
| Chemical/Heavy | SG 1.6 |
| Lid | 450 mm |
| Outlet | 340 mm |

ADDITIONAL INFORMATION

* 8 year Guarantee on workmanship

Food Grade LLDPE
BPA Free

ALL DIMENSIONS ARE IN MILLIMETERS
NOTE - SCALE NOT TO SCALE