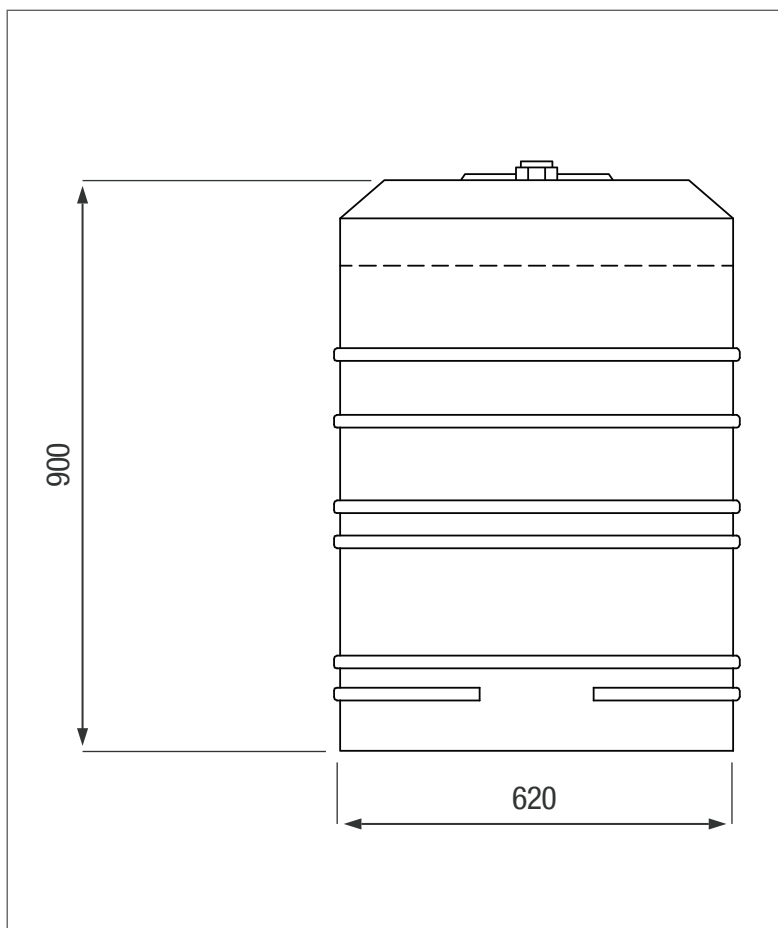


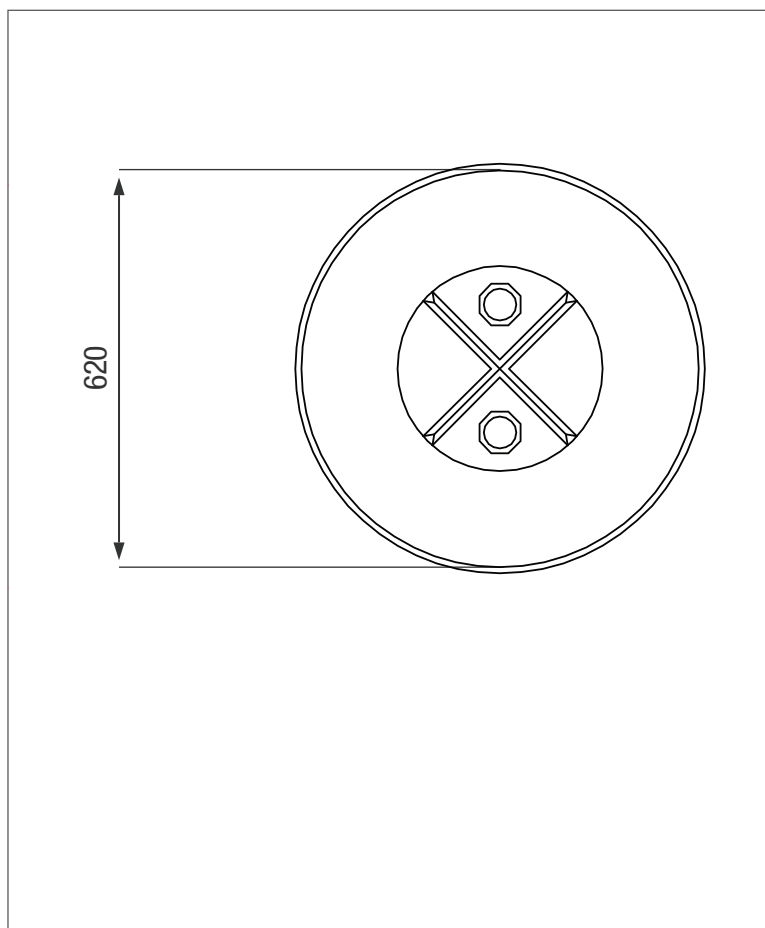
260 LT STORAGE DRUM

Available in a variety of colours / UV-resistant

FRONT VIEW



TOP VIEW



PRODUCT SPECIFICATIONS

- Complete with	2 x 50/40 mm
	Thumbplugs

ADDITIONAL INFORMATION

* 8 year Guarantee on workmanship

Food Grade LLDPE
BPA Free

ALL DIMENSIONS ARE IN MILLIMETERS
NOTE - SCALE NOT TO SCALE