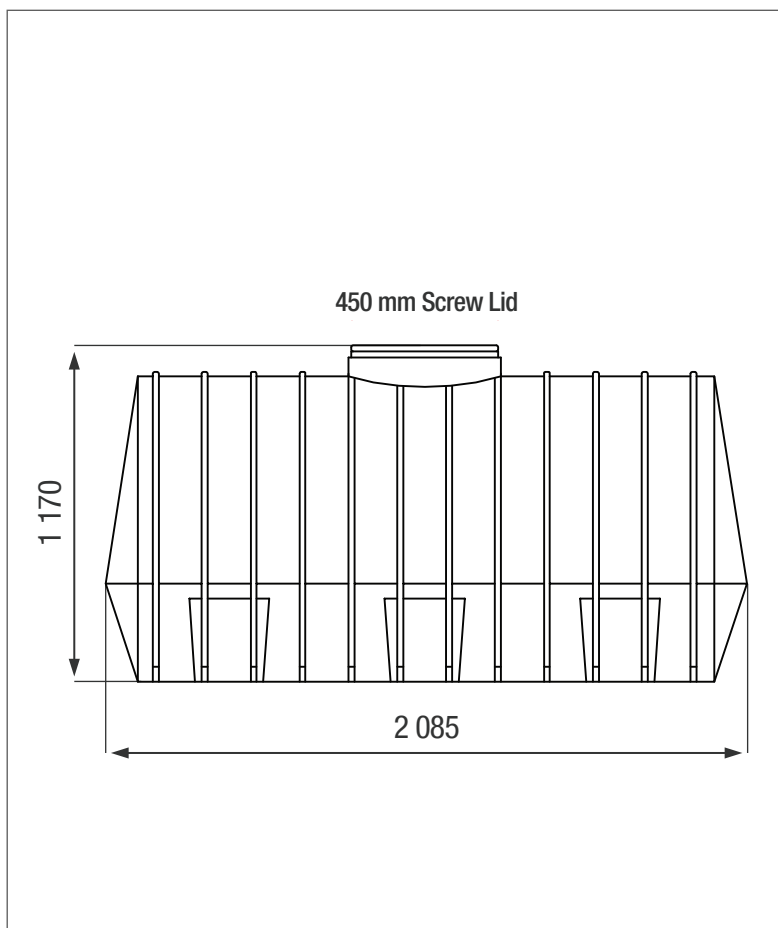


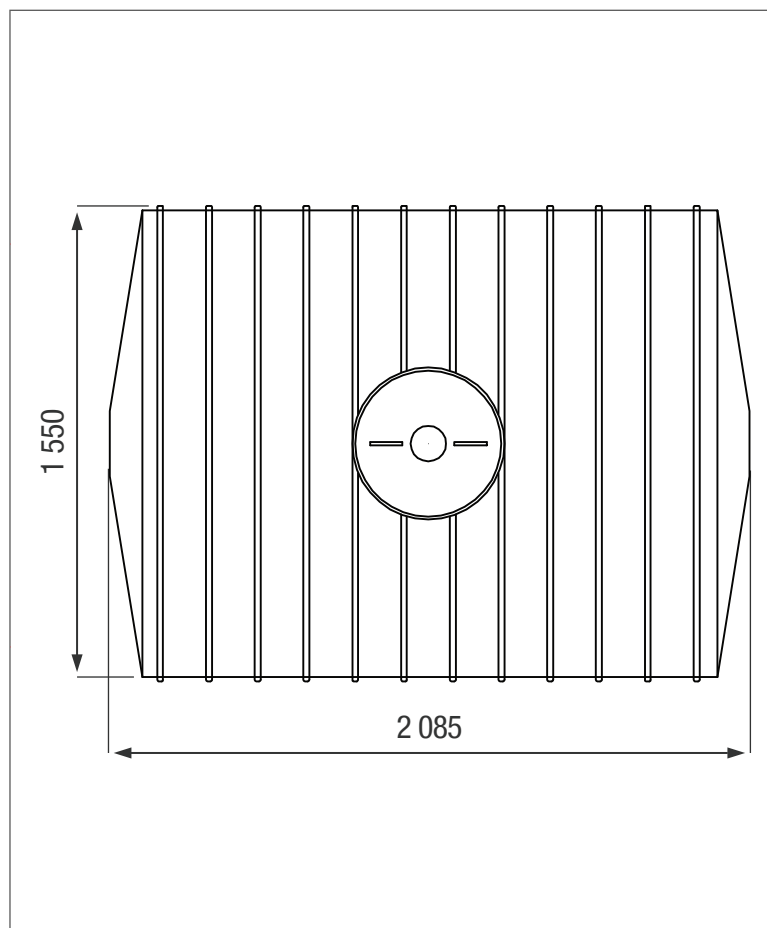
# 2 500 LT HORIZONTAL WATER TANK

Available in a variety of colours / UV-resistant

SIDE VIEW



TOP VIEW



PRODUCT SPECIFICATIONS

Water	SG 1
Outlet	50 mm Connector
Lid	450 mm

ADDITIONAL INFORMATION

\* 8 year Guarantee on workmanship

**Food Grade LLDPE**  
**BPA Free**

ALL DIMENSIONS ARE IN MILLIMETERS  
NOTE - SCALE NOT TO SCALE