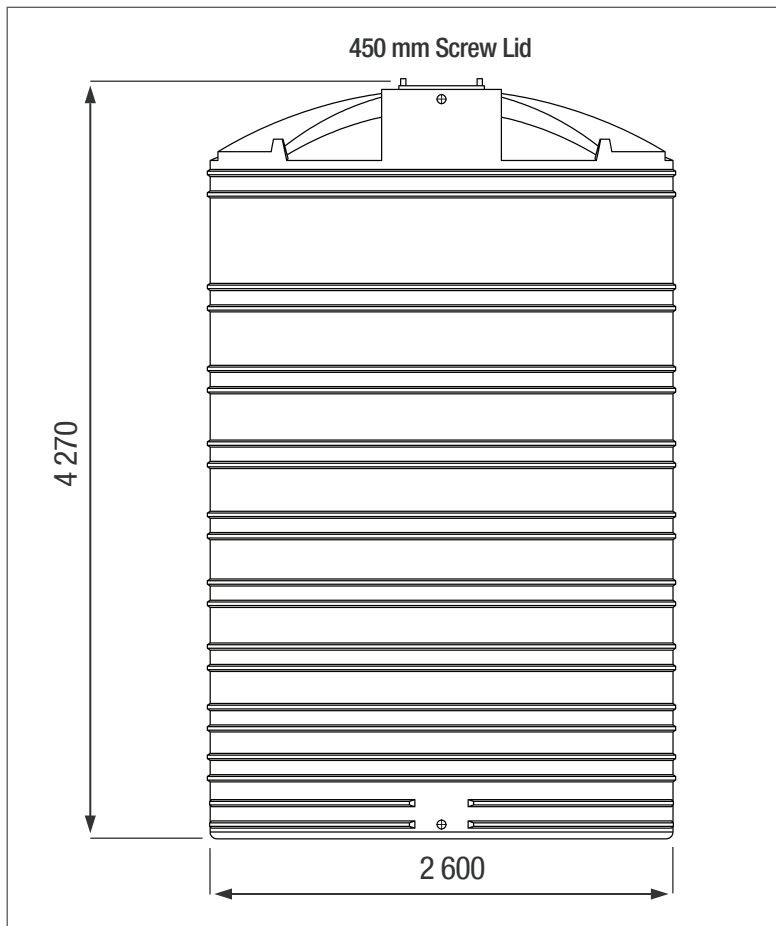


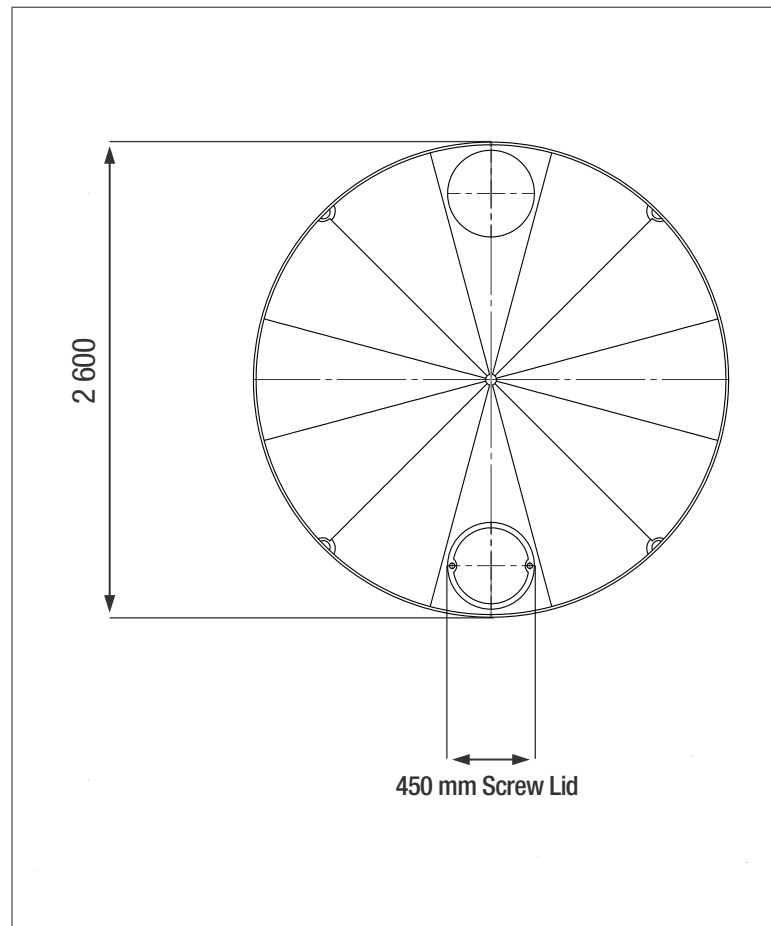
# 20 000 LT VERTICAL **HEAVY TANK**

Available in a variety of colours / UV-resistant

FRONT VIEW



TOP VIEW



PRODUCT SPECIFICATIONS

Chemical/Heavy	SG 1.6
Outlet	50 mm Connector
Lid	450 mm

ADDITIONAL INFORMATION

\* 8 year Guarantee on workmanship

**Food Grade LLDPE**  
**BPA Free**

ALL DIMENSIONS ARE IN MILLIMETERS  
NOTE - SCALE NOT TO SCALE