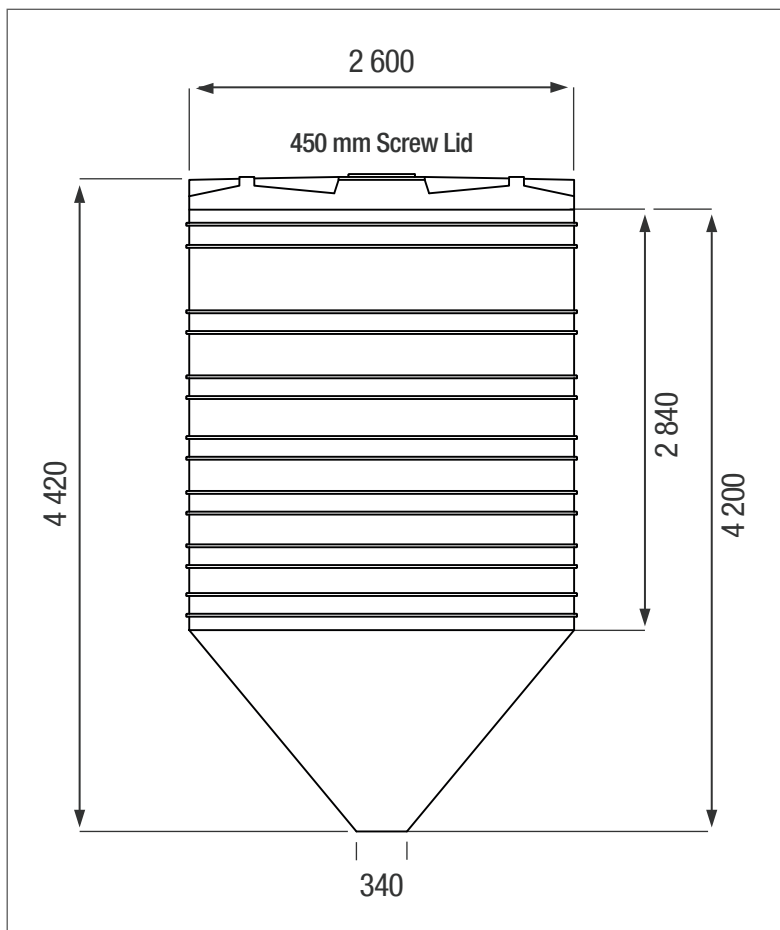


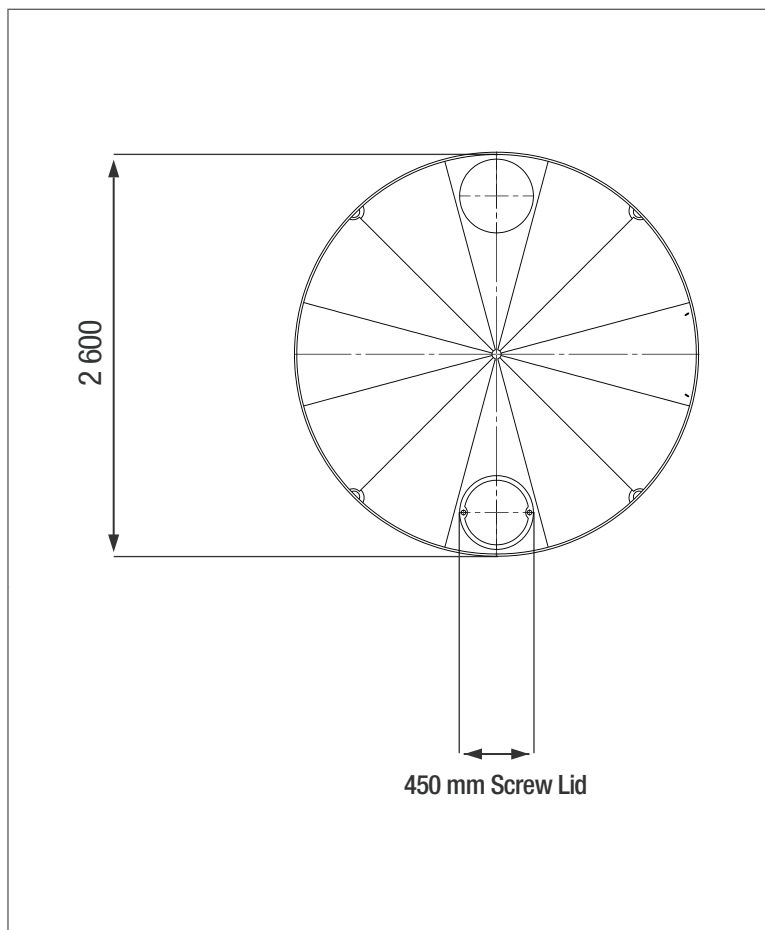
# 17 000 LT SILO **HEAVY TANK**

Available in a variety of our Chemical colours / UV-resistant

SIDE VIEW



TOP VIEW



PRODUCT SPECIFICATIONS

Chemical/Heavy	SG 1.6
Lid	450 mm
Outlet	340 mm

ADDITIONAL INFORMATION

\* 8 year Guarantee on workmanship

**Food Grade LLDPE**  
**BPA Free**

ALL DIMENSIONS ARE IN MILLIMETERS  
NOTE - SCALE NOT TO SCALE