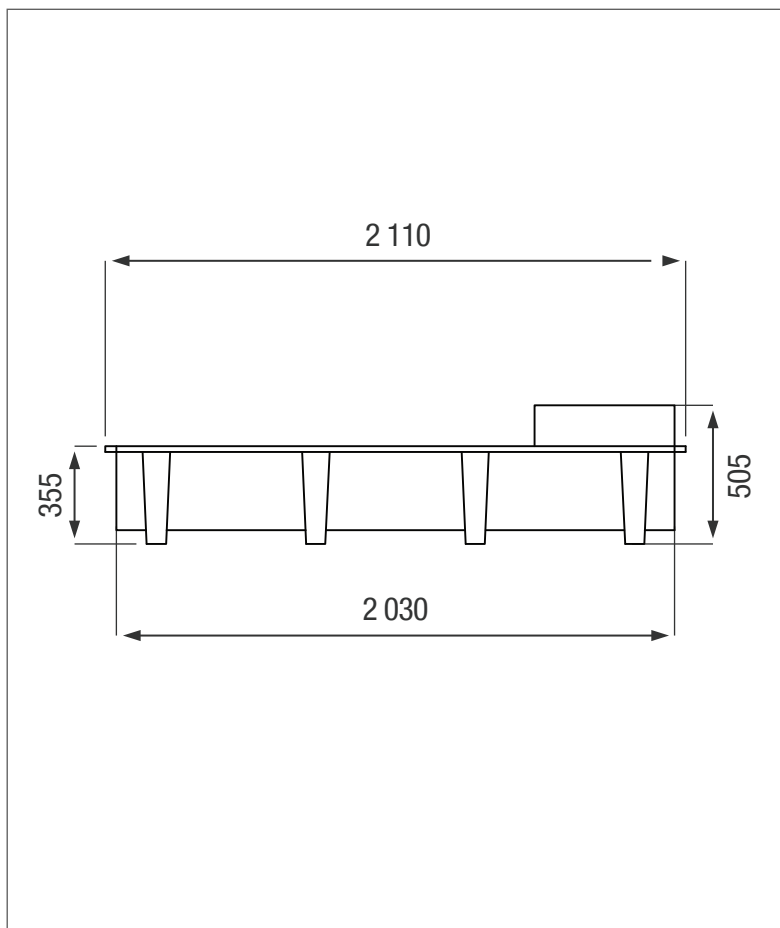


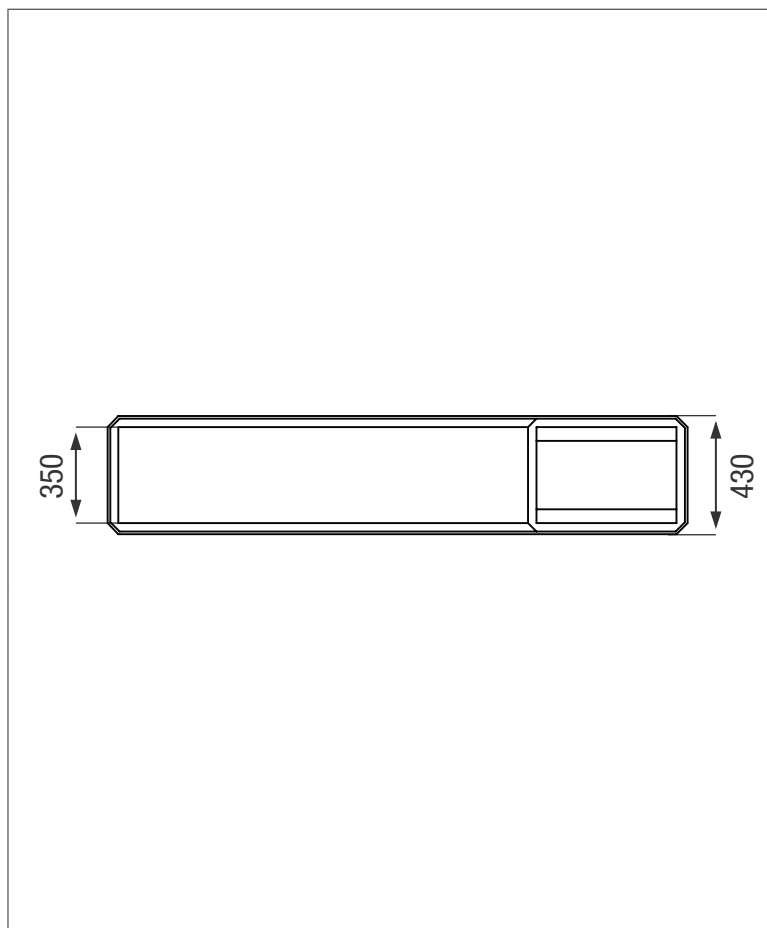
# 160 LT SHEEP TROUGH

Colours may differ depending on area and factory / UV-resistant

SIDE VIEW



TOP VIEW



PRODUCT SPECIFICATIONS

|                      |                |
|----------------------|----------------|
| Inlet                | Ball Valve     |
| Outlet               | 50/40 Reducer  |
| - Outlet fitted with | Thumb End Plug |

ADDITIONAL INFORMATION

\* 8 year Guarantee on workmanship

**Food Grade LLDPE**  
**BPA Free**

**ALL DIMENSIONS ARE IN MILLIMETERS**  
**NOTE - SCALE NOT TO SCALE**