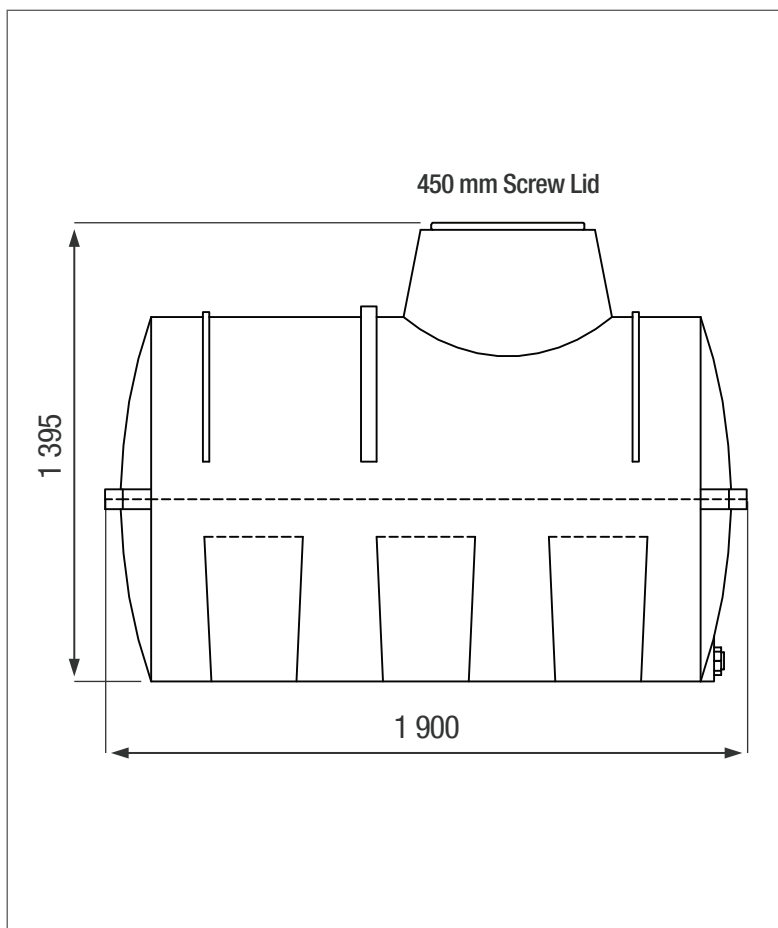


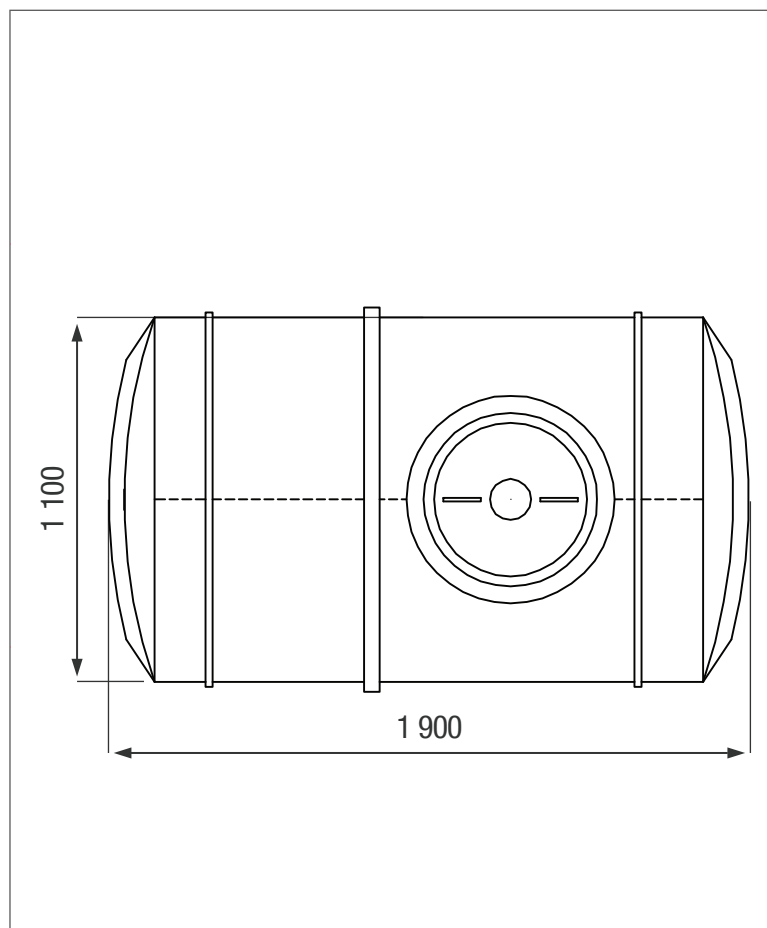
# 1 500 LT HORIZONTAL HEAVY TANK

Available in a variety of our Chemical colours / UV-resistant

SIDE VIEW



TOP VIEW



PRODUCT SPECIFICATIONS

|                |                 |
|----------------|-----------------|
| Chemical/Heavy | SG 1.6          |
| Outlet         | 40 mm Connector |
| Lid            | 450 mm          |

ADDITIONAL INFORMATION

\* 8 year Guarantee on workmanship

**Food Grade LLDPE**  
**BPA Free**

ALL DIMENSIONS ARE IN MILLIMETERS  
NOTE - SCALE NOT TO SCALE