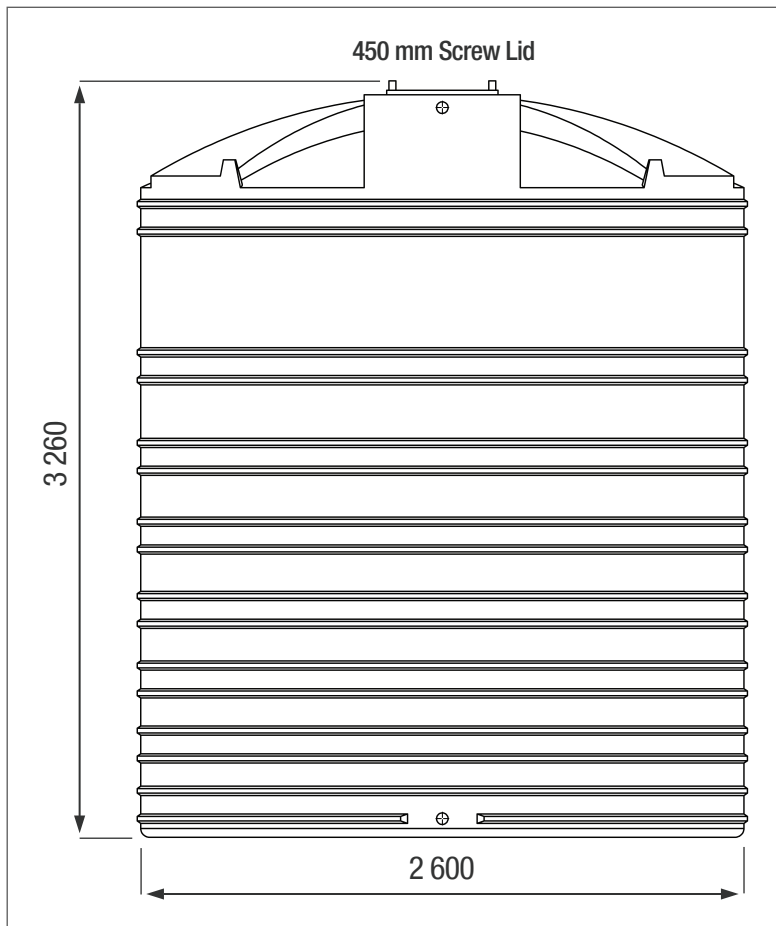


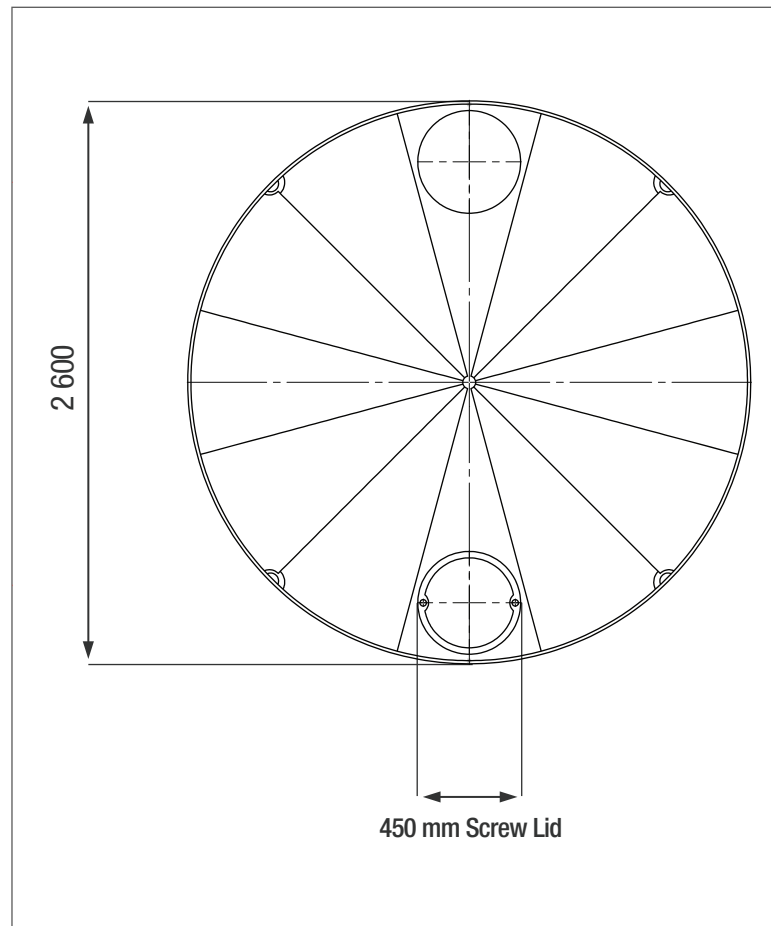
15 000 LT VERTICAL **HEAVY TANK**

Available in a variety of colours / UV-resistant

FRONT VIEW



TOP VIEW



PRODUCT SPECIFICATIONS

| | |
|----------------|-----------------|
| Chemical/Heavy | SG 1.6 |
| Outlet | 50 mm Connector |
| Lid | 450 mm |

ADDITIONAL INFORMATION

* 8 year Guarantee on workmanship

Food Grade LLDPE
BPA Free

ALL DIMENSIONS ARE IN MILLIMETERS
NOTE - SCALE NOT TO SCALE