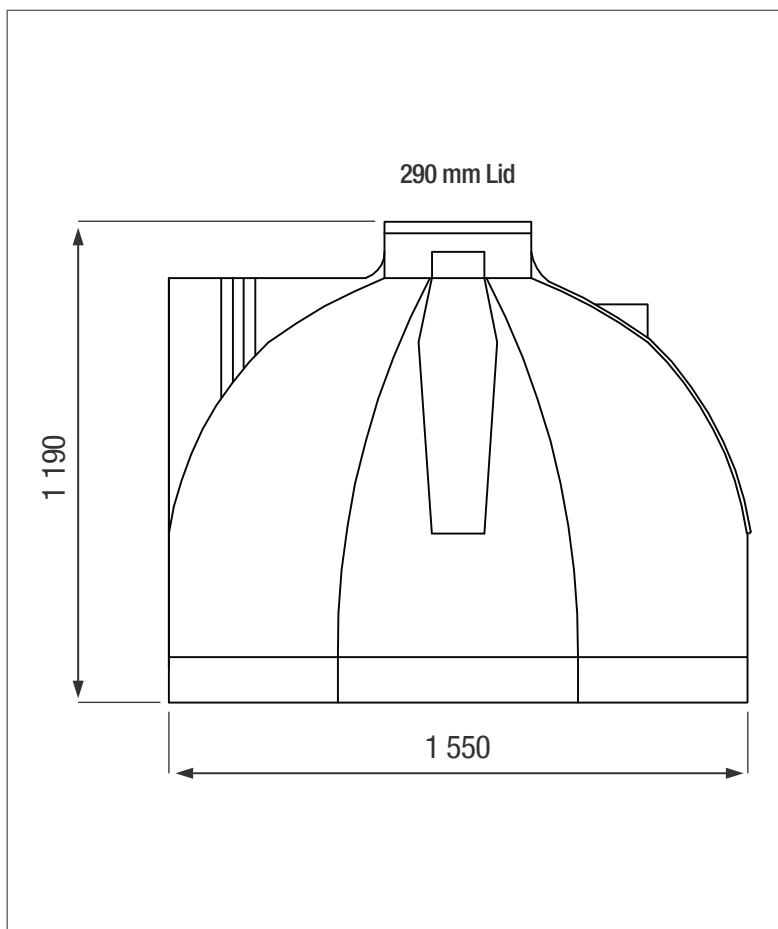


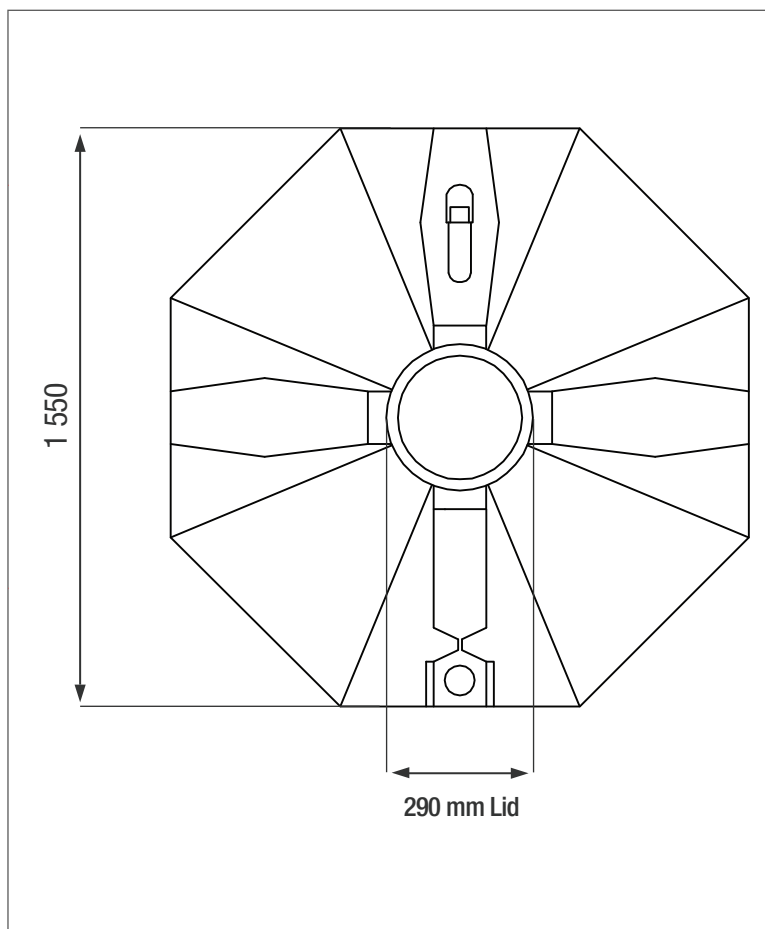
# 1 250 LT SEPTIC TANK

Available in black only

SIDE VIEW



TOP VIEW



PRODUCT SPECIFICATIONS

- Includes	Fitted PVC Fittings
Inlet	110 mm
Outlet	50 mm
Lid	290 mm
Connected to the French Drain	

ADDITIONAL INFORMATION

\* 8 year Guarantee on workmanship

**Food Grade LLDPE**  
**BPA Free**

ALL DIMENSIONS ARE IN MILLIMETERS  
NOTE - SCALE NOT TO SCALE