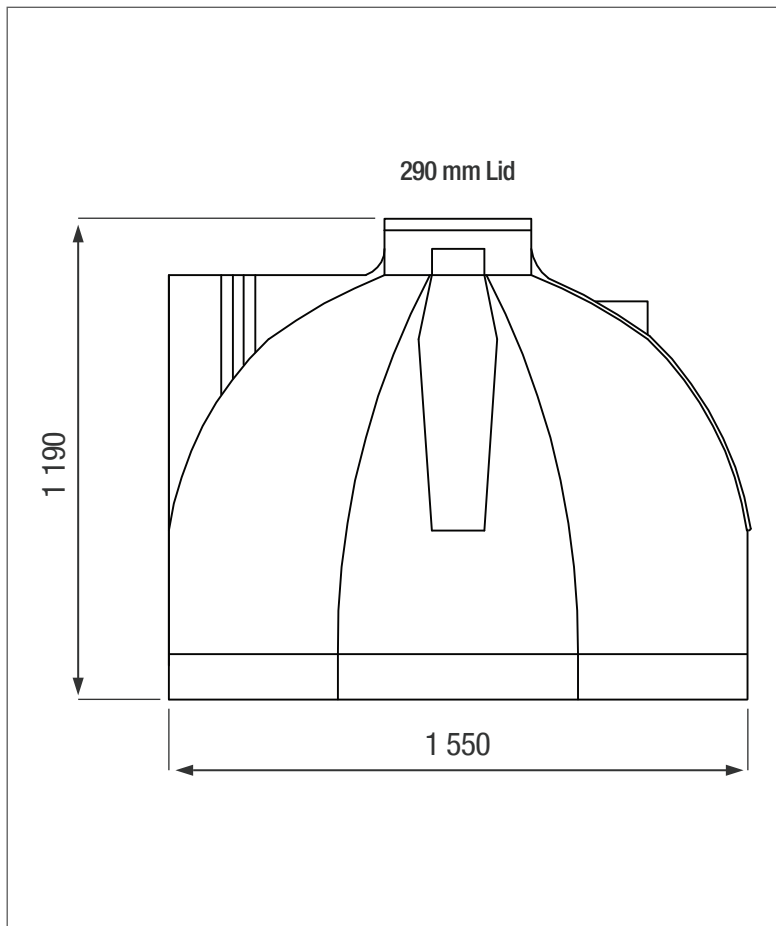


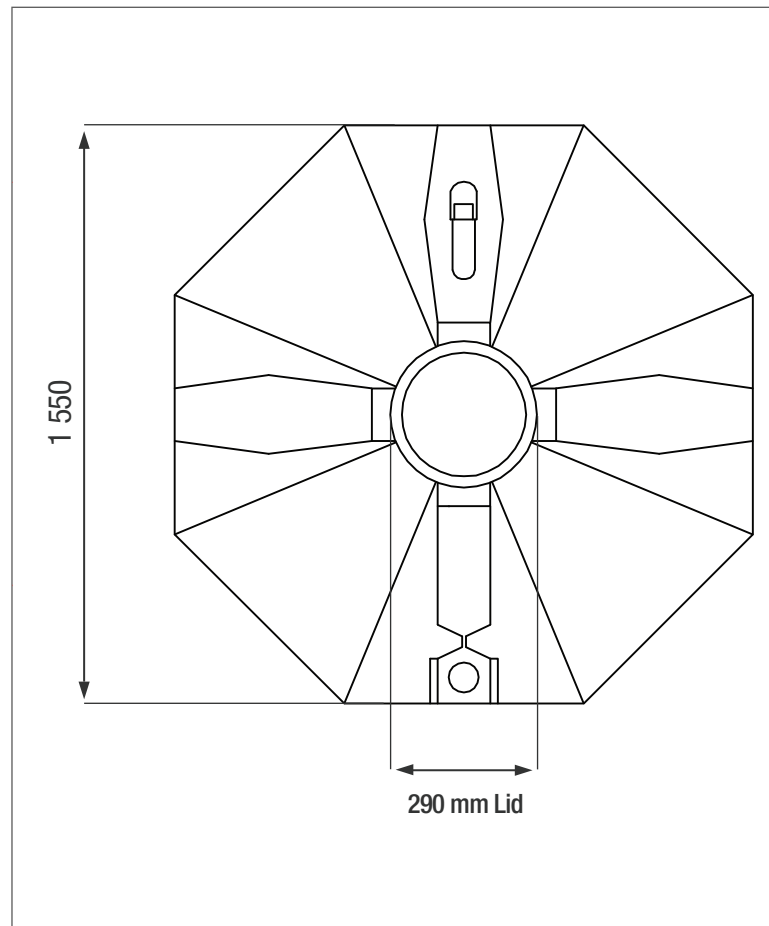
# 1 250 LT CONSERVANCY TANK

Available in black only

SIDE VIEW



TOP VIEW



## PRODUCT SPECIFICATIONS

- Excluding	Fittings and Holes
Lid	290 mm
To be Pumped Out	

## ADDITIONAL INFORMATION

\* 8 year Guarantee on workmanship

**Food Grade LLDPE**  
**BPA Free**

ALL DIMENSIONS ARE IN MILLIMETERS  
NOTE - SCALE NOT TO SCALE